

STANDARD CONSTRUCTION

FRAME: 18-GA. galvanized steel.

BLADE: 18-GA. galvanized steel. Blades approximately 6 9/16" on centers.

SCREEN: (When indicated)

1/2" sq. mesh, 19-GA. galvanized steel (.041").

CONSTRUCTION: Riveted and/or welded, full jambs with blades, head and sill contained within.

OPTIONS

Flange Frame available.

Finishes - Enamels, Epoxies, etc.

Screens - Insect screen 1 8/16 aluminum mesh,

-or- 1/2" flattened aluminum, .051",

-or- 1/4" sq. mesh, 18-GA galvanized steel, .047",

-or- 1/2" sq. mesh, 18-GA stainless steel, .047",

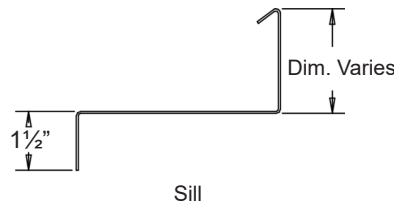
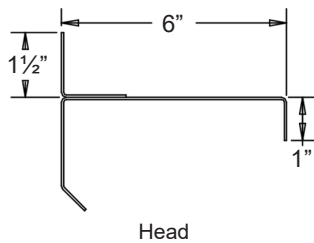
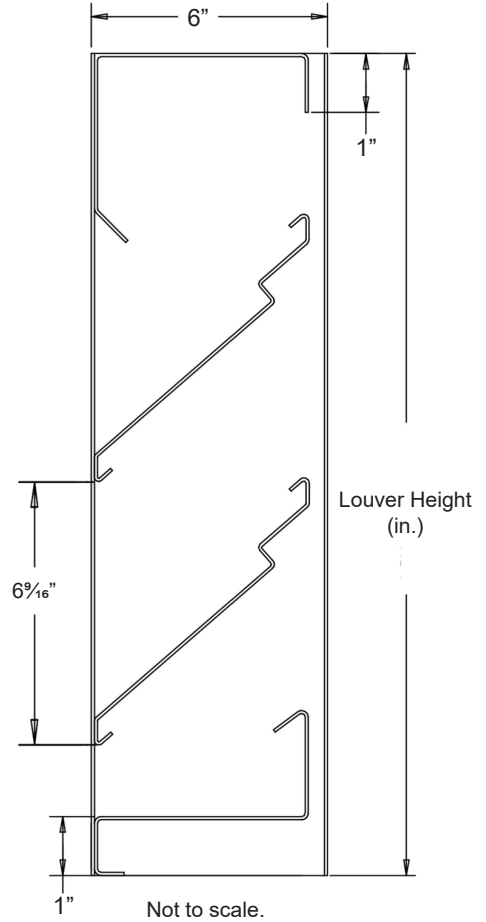
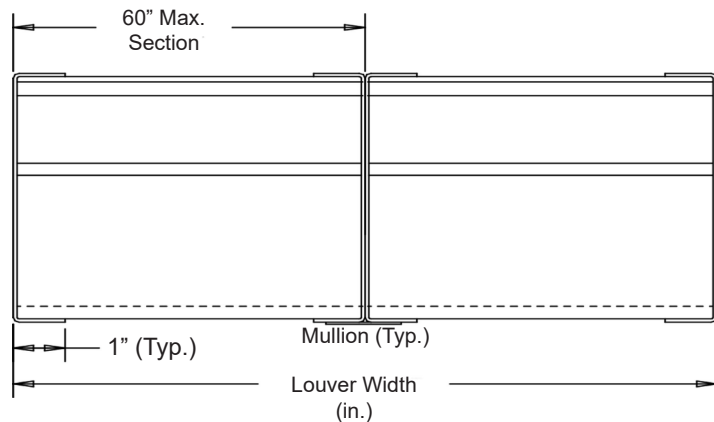
Others available.

NOTES

- Nominal deductions will be made to the opening size given.
- Average shipping weight is 8.5 lbs./sq.ft.

LOUVER SIZES

Min Panel	Max Single Panel
12"W x 12"H	60"W x 96"H



Flanged Frame Available

Item #	Qty	Opening Size		Louver Size		Mullion	Screens		Location	Union Made
		Width	Height	Width	Height		Type			
Arch. / Eng. :						EDR:	ECN:		Job:	
Contractor:										
Project:						Date:	DWN:	DWG:		

In the interest of product development, Louvers & Dampers reserves the right to make changes without notice.

FREE AREA TABLE

		Free Area (sq.ft.)								
		Width (in.)								
Height (in.)		12"	18"	24"	30"	36"	42"	48"	54"	60"
		12"	.20	.32	.45	.57	.69	.81	.93	1.06
24"	.59	.95	1.31	1.67	2.02	2.38	2.74	3.09	3.45	
36"	1.12	1.80	2.47	3.15	3.82	4.50	5.17	5.84	6.52	
48"	1.57	2.52	3.46	4.41	5.35	6.30	7.33	8.19	9.13	
60"	2.10	3.37	4.63	5.89	7.15	8.41	9.67	10.94	12.20	
72"	2.55	4.08	5.61	7.14	8.67	10.20	11.73	13.26	14.79	
84"	3.19	5.11	7.03	8.94	10.86	12.78	14.69	16.61	18.52	
96"	3.39	5.42	7.45	9.48	11.51	13.55	15.58	17.61	19.64	